

Model 970 Wired /972 Wireless

Features:

- Plastic Housing (ASA Resin)
- High Power Low Consumption Xenon Lamp (H.I.D) H3 Base.



- Dual speed control for beam movement.



- Multi-Optional Control Devices

- *Wired & Wireless Dual Control

- Handheld type

- Dash-mount Toggle Control Panel type

- *Wired Control

- Dash-mount Button Control type

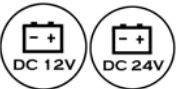
- Dash-mount Toggle Control Panel type

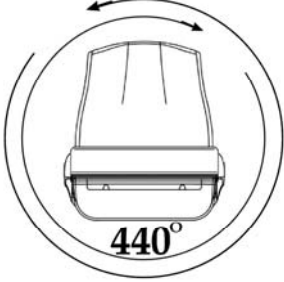
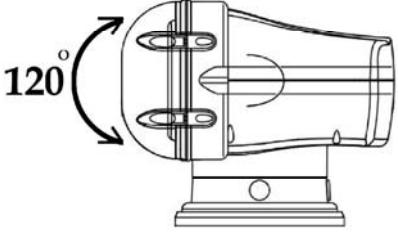






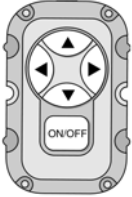
- *Dash-mount Remote Control

- (Extra option)

- Permanent Mount

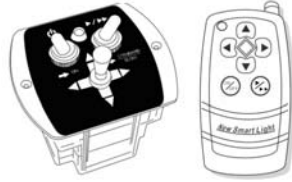
- DC12V or 24V



Model 970/972 Specifications:	
Construction	Plastic Housing (ASA Resin) Fully Up& Down 120 Degree / Left & Right 440 Degree
	 
	Shape : Square
	Color : White/ Black
	Weather Resistance, searchlight housing IP66
	Mount type : Permanent None Magnetic Bottom
	 
	Weight: 2.3kgs
Control Device	 Handheld Wired & Wireless Dual Control
	 
	 Dash-mount Button Control type
	



Wired Toggle Control Panel with Wireless Remote



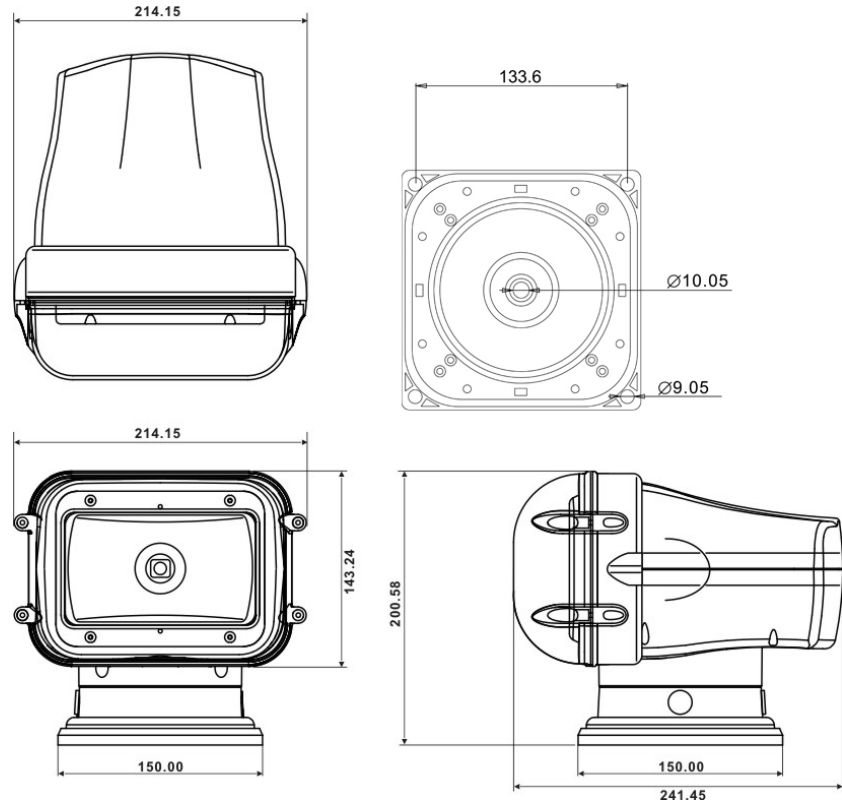
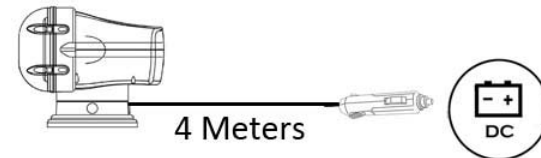
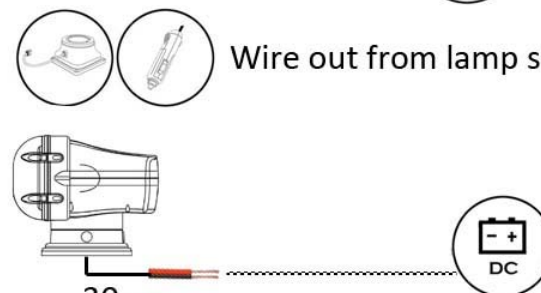
Wired Toggle Control Panel



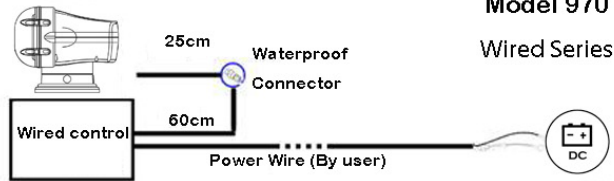
**Dash-mount Remote Control Panel
(Extra option for Wireless control mode)**



<p>Light</p>	<p>Xenon Bulb (High Intensity Discharge) H3 Base 12V 35W / 24V 35W Color temperature : 4,300K Bulb life: 3000 hrs Peak Beam Intensity: 220,000 candelas Beam distance: 942M (Xenon bulb) Beam Pattern : Spot</p>
---------------------	---

Dimension	Unit: mm
	
	<p>Model 972</p>  <p>4 Meters</p>  <p>30cm</p>
	<p>Wire out from lamp side with DC jack</p> <p>Power wire out from lamp bottom</p>

Wired Control Models

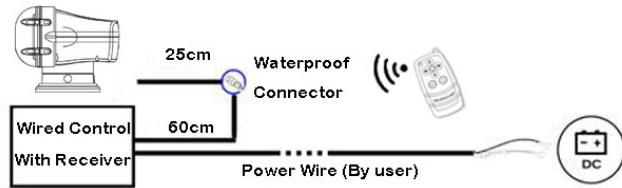


Model 970
Wired Series

- A.Button Type Dash-mount
RX-SL005
- B.Toggle Type Dash-mount
RX-SL013
- C.Toggle Type Dash-mount
RX-SL013-N



Wired and Wireless Dual control Models



Wired Control

- A.Button Type Handheld
RX-SL004
- B.Toggle Type Dash-mount
RX-SL013A



Wireless Control

- A.Handheld Remote
- B.Wireless Toggle Type Dash-mount Remote
- C.Dash-mount Remote



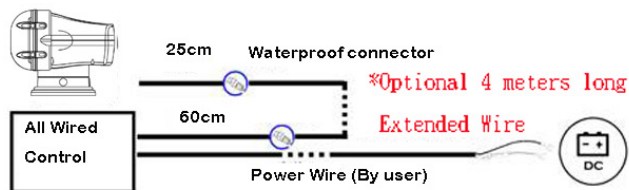
TX-SL003B-2



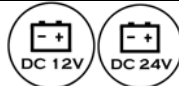
TX-SL013



TX-SL009D



Power



Certificate

CE / FCC

Packing

2pcs/carton
G.W.: 10Kgs
Measurement: 56x31x34cm

Model 972 Wireless Series Item Code



		SL97211-ABP-12V-SS			SL97211-AWP-12V-SS
		SL97241-CBP-12V-SS			SL97241-CWP-12V-SS
		SL97211-ABP-24V-SS			SL97211-AWP-24V-SS
		SL97241-CBP-24V-SS			SL97241-CWP-24V-SS

Item Code					
 Handheld Wired & Wireless Dual Control					
					
		SL032-CBP-12V-SS			SL032-CWP-12V-SS
		SL035-CBP-12V-SS			SL035-CWP-12V-SS
		SL032-CBP-24V-SS			SL032-CWP-24V-SS
		SL035-CBP-24V-SS			SL035-CWP-24V-SS
 Dash-mount Button Control type					
					
		SL031-CBP-12V-SS			SL031-CWP-12V-SS
		SL034-CBP-12V-SS			SL034-CWP-12V-SS
		SL031-CBP-24V-SS			SL031-CWP-24V-SS
		SL034-CBP-24V-SS			SL034-CWP-24V-SS

Item Code					
 Wired Toggle Control Panel with Wireless Remote					
					
		SL032-CBPT-12V-SS			SL032-CWPT-12V-SS
		SL035-CBPT-12V-SS			SL035-CWPT-12V-SS
		SL032-CBPT-24V-SS			SL032-CWPT-24V-SS
		SL035-CBPT-24V-SS			SL035-CWPT-24V-SS
 Wired Toggle Control Panel					
					
		SL031-CBPT-12V-SS			SL031-CWPT-12V-SS
		SL034-CBPT-12V-SS			SL034-CWPT-12V-SS
		SL031-CBPT-24V-SS			SL031-CWPT-24V-SS
		SL034-CBPT-24V-SS			SL034-CWPT-24V-SS